



S500 GU5.3 SPECIFICATIONS (Preliminary)

Version: CE

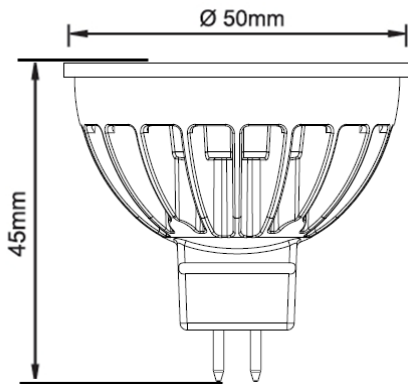
Last update: June 2012



Specifications		
Product Name	S500 GU5.3 MR16 LED Lamp	
Part No. (CE Market)	1319280812	1319300812
Color	Warm White	
Color Temp (CCT)	2700K	3000K
Lamp Base	GU5.3	
Color Rendering Index (CRI)	80 Ra	
Input Voltage	12V AC/DC	
Rated Current	870 mA	
Rated Frequency	50/60 Hz	
Lumen Output	380 lm	430 lm
Total Power	8 W	
Lumen Efficacy	47.5 lm/W	53 lm/W
Luminous Intensity (cd)	2500 cd	2900 cd
Beam Angle	24°	
Life Span	35,000 hrs	
Operating Temperature	-20°C ~ +55°C	
Storage Temperature	-30°C ~ +65°C	
Application	Indoor	
Dimmable	No	
RoHS	Yes	
Material		
LED Brand	Lumileds	
Housing	Aluminum	
Housing Color	White	
Optics	PMMA	

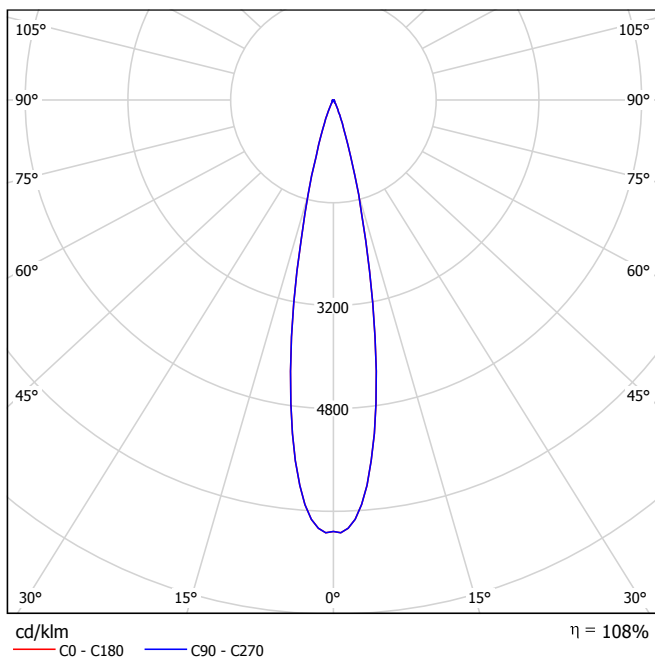


Dimension:



Photometric Data:

S500 3000K WW 24D



0.5	0.19	E(0°) E(C0)	10.7°	11676 5572
1.0	0.38	E(0°) E(C0)	10.7°	2919 1393
1.5	0.57	E(0°) E(C0)	10.7°	1297 619
2.0	0.76	E(0°) E(C0)	10.7°	730 348
2.5	0.94	E(0°) E(C0)	10.7°	467 223
3.0	1.13	E(0°) E(C0)	10.7°	324 155

Distance [m] Cone Diameter [m] Illuminance [lx]

— C0 - C180 (Half-value Angle: 21.4°)