



LED Tube (Model H / HX) 1200mm

Product Information Sheet



Optiled's new LED tube series, Model H and Model HX, is designed for use in commercial and industrial applications that require high efficacy, higher lumen and faster payback period.

Features

- High lumen output: 1,800 lm & 2,300lm
- High Efficacy of more than 100lm/W
- Wider beam angle of 165°
- Starter Bridge design for flexible installation
- Light weight design
- High power factor of 0.95
- Lights up instantly and with no flicker
- Standard T8 size

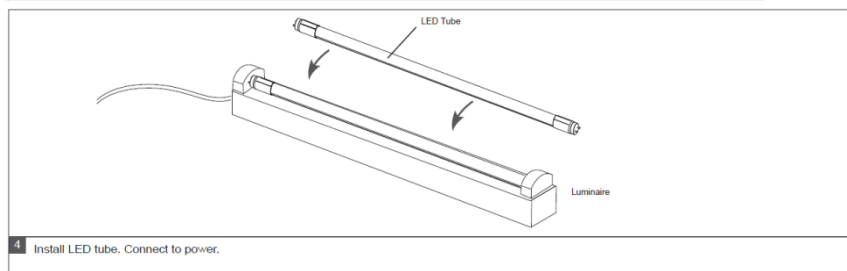
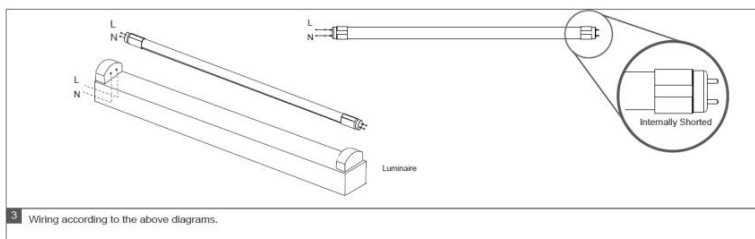
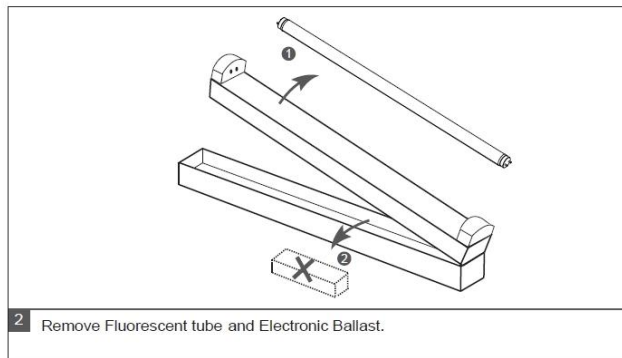
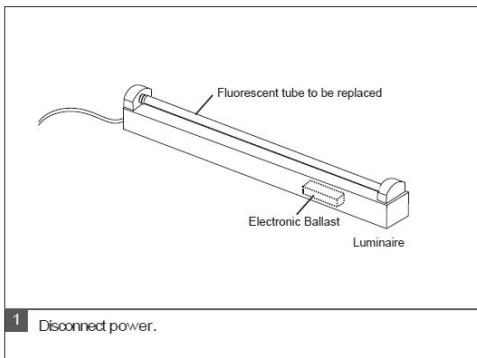
Benefits

- Direct retrofit when using magnetic ballast and Starter provided
- Up to 53% cost saving in energy consumption*
- Up to 2 times longer lifetime and reduce maintenance costs
- Suitable for high ceiling application

*compared with T8 fluorescent tube

Installation – Method 1 for Electronic Ballast

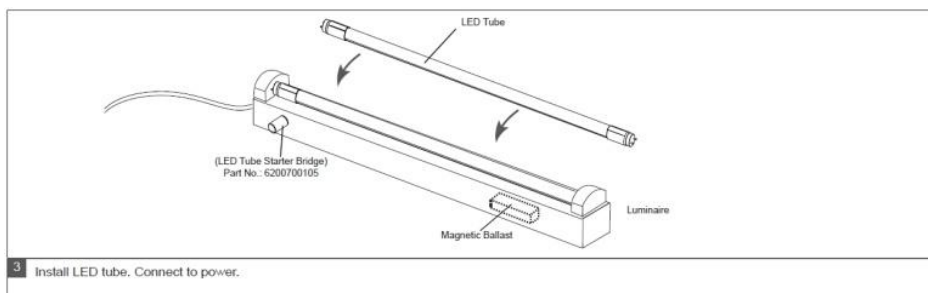
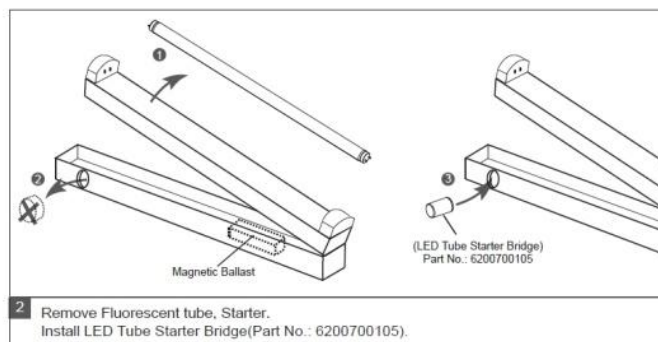
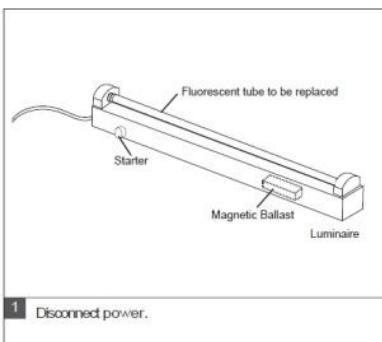
Installation Method 1 for Electronic Ballast



Installation – Method 2 for Magnetic (EM) Ballast

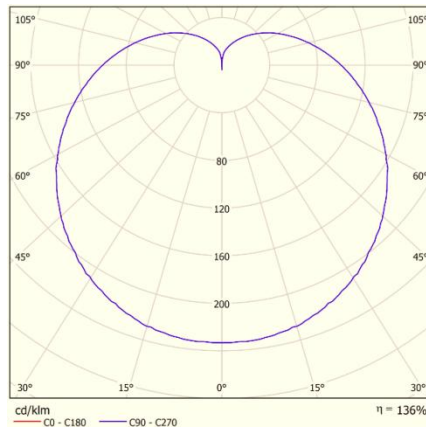
Installation Method 2 for Magnetic(EM) Ballast

WARNING : 1. This product is not designed for on-site maintenance and may not be disassembled.
2. Always turn off power prior to installation or replacement.



Photometric

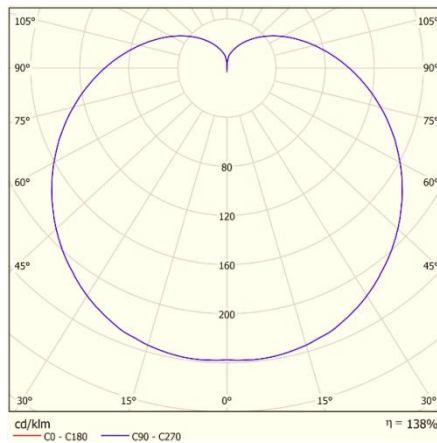
LED Tube Model H – 4000K



Distance [m]	Cone Diameter [m]	E(0°) E(CD)	81.0°	1868 4
0.5	6.31	E(0°) E(CD)	81.0°	467 1
1.0	12.63	E(0°) E(CD)	81.0°	208 0
1.5	18.94	E(0°) E(CD)	81.0°	117 0
2.0	25.26	E(0°) E(CD)	81.0°	75 0
2.5	31.57	E(0°) E(CD)	81.0°	52 0
3.0	37.88	E(0°) E(CD)	81.0°	40 0

Distance [m] Cone Diameter [m] Illuminance [lx]
— C0 - C180 (Half-value Angle: 162.0°)

LED Tube Model HX – 4000K



Distance [m]	Cone Diameter [m]	E(0°) E(CD)	80.4°	2316 5
0.5	5.91	E(0°) E(CD)	80.4°	579 1
1.0	11.82	E(0°) E(CD)	80.4°	257 1
1.5	17.74	E(0°) E(CD)	80.4°	145 0
2.0	23.65	E(0°) E(CD)	80.4°	93 0
2.5	29.56	E(0°) E(CD)	80.4°	64 0
3.0	35.47	E(0°) E(CD)	80.4°	48 0

Distance [m] Cone Diameter [m] Illuminance [lx]
— C0 - C180 (Half-value Angle: 160.8°)

Applications

- Office / Shop lighting
- Warehouse / Car park lighting
- Public area lighting
- Classroom lighting

Specifications – 4ft (1200mm) Model H

Input Voltage	220-240V AC
Rated Current	80 mA
Lumen Output	1800 lm
Total Power	17 W
Lumen Efficacy	105 lm/W

Color Temp (CCT)	4000K, 6500K
Life Span [#]	35,000 hours
Beam Angle	165°
Power Factor	0.95
Lamp base	G13

Specifications – 4ft (1200mm) Model HX

Input Voltage	220-240V AC
Rated Current	100mA
Lumen Output	2300 lm
Total Power	22 W
Lumen Efficacy	104 lm/W

Color Temp (CCT)	4000K, 6500K
Life Span [#]	35,000 hours
Beam Angle	165°
Power Factor	0.95
Lamp base	G13

[#] based on 70% lumen maintenance.

For more information, please refer to the product specs.

12/2012