

**T500 GU5.3 Constant Current SPECIFICATIONS**

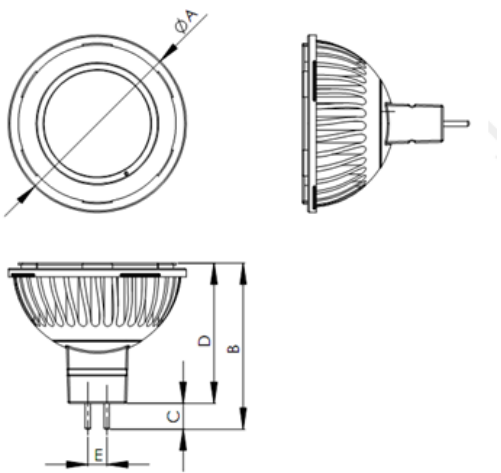
Version: CE

Last update: Dec 2012



Specifications		
Product Name	T500 GU5.3 MR16 LED Lamp Constant Current	
Part No. (CE Market)	1313280819	1313280810
Color	Warm White	
Color Temp (CCT)	2800K	
Lamp Base	GU5.3	
Color Rendering Index (CRI)	80 Ra	
Input Voltage	35V DC max	
Rated Current	200mA	
Rated Frequency	50/60 Hz	
Lumen Output	500 lm	
Lamp Wattage	7 W	
Lumen Efficacy	71 lm/W	
Luminous Intensity (cd)	1700cd	1100cd
Beam Angle	24°	36°
Life Span	35,000 hrs	
Operating Temperature	-20°C ~ +55°C	
Storage Temperature	-30°C ~ +65°C	
Application	Indoor	
Dimmable	Yes (this product must be powered by constant current PSU, P/N 5124400705)	
RoHS	Yes	
Material		
LED Brand	CREE	
Housing	Aluminum	
Housing Color	Silver	
Optics	PMMA	

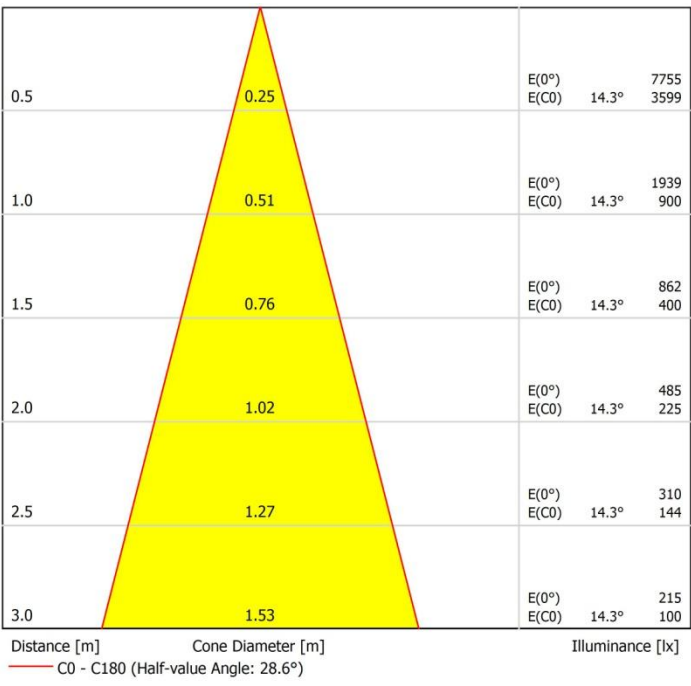
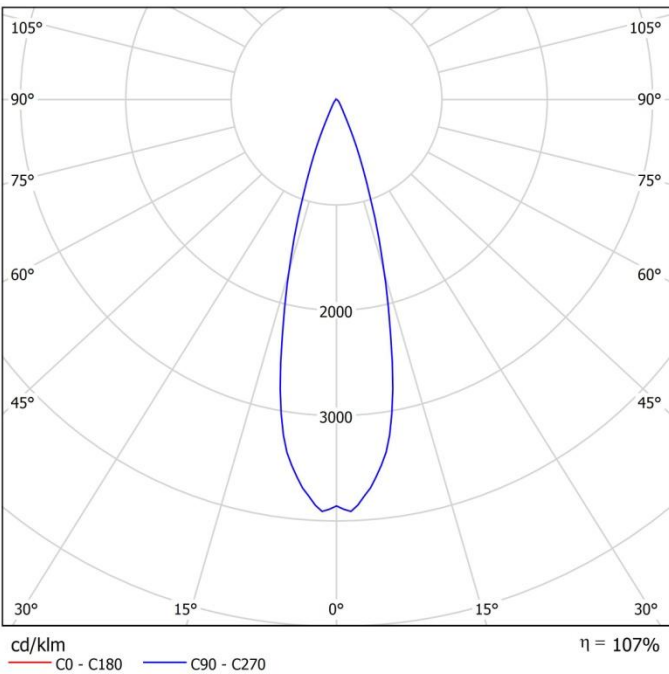
**Dimension:**



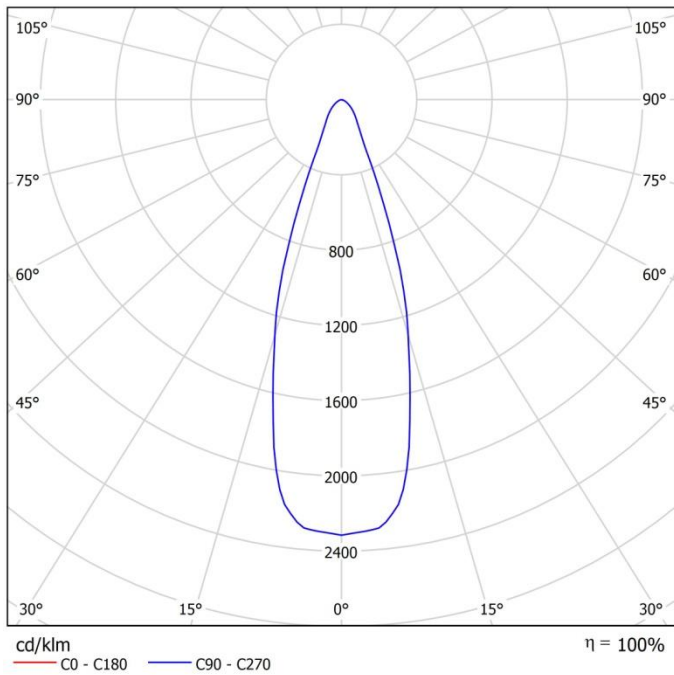
Items	Min	Typical	Max	Unit
A	50.0	50.1	50.2	mm
B	46	47	48	mm
C	7.0	7.3	7.6	mm
D	38.7	39.7	40.7	mm
E	5.23	5.33	5.43	mm

**Photometric Data:**

**2800K 24 Degree**



2800K 36 Degree



0.5	0.31	E(0°) E(C0)	17.2°	4726 2066
1.0	0.62	E(0°) E(C0)	17.2°	1181 517
1.5	0.93	E(0°) E(C0)	17.2°	525 230
2.0	1.24	E(0°) E(C0)	17.2°	295 129
2.5	1.55	E(0°) E(C0)	17.2°	189 83
3.0	1.86	E(0°) E(C0)	17.2°	131 57

Distance [m]      Cone Diameter [m]      Illuminance [lx]

— C0 - C180 (Half-value Angle: 34.4°)